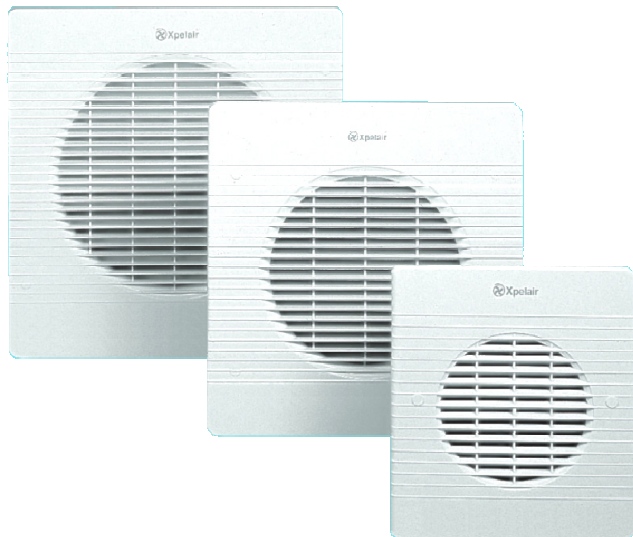


# Xpelair® WX Wall Fan Range



## WX9 with sickle blade

Ref. 90193AW

## WX12 with sickle blade

Ref. 90191AW

- High performance intake/extract axial ventilation unit
- Optional controller available
- Balanced external rotor motor and sickle bladed impeller for quiet efficiency
- Sealed for life, maintenance free bearings, suitable for running at any angle
- Built-in silent action electro-thermal shutter cassette
- Passive tricklevent facility for background ventilation with fan Off
- Ultra slim high gloss ABS facia with integral finger safety guard
- Grey external grille for unobtrusive external appearance with built-in weather protection
- Tamperproof internal connection safety plug and socket
- Totally-enclosed IPX4 rated motor



Type: **Commercial duty/ suitable for residential use**

Application: **Pubs, restaurants, offices, kitchens, sunrooms, schools and pool enclosures**

## WX6 with axial blade

Ref. 90824AW

- 6" diameter impeller high performance extract axial ventilation unit
- Sealed for life, maintenance free bearings, suitable for running at any angle. Integrated safety thermal overload protection
- Built-in silent action electrothermal shutter cassette
- Passive tricklevent facility for background ventilation with fan Off
- Ultra slim high gloss ABS facia with integral finger safety guard
- Grey external grille for unobtrusive external appearance with built-in weather protection
- Totally-enclosed IPX4 rated motor



## Single Fan Controller FR22/30

Ref. 21868AW

- For use with WX9 and WX12
- On/Off control with neon indicator. Used to select between high and low speed, intake and extract
- - prox 8"(w) x 3<sup>1</sup>/<sub>2</sub>"(h) x 1<sup>3</sup>/<sub>4</sub>"(d)



For further information about CSA STANDARDS please visit:  
<http://www.csa.ca/cm/ca/en/about-csa>

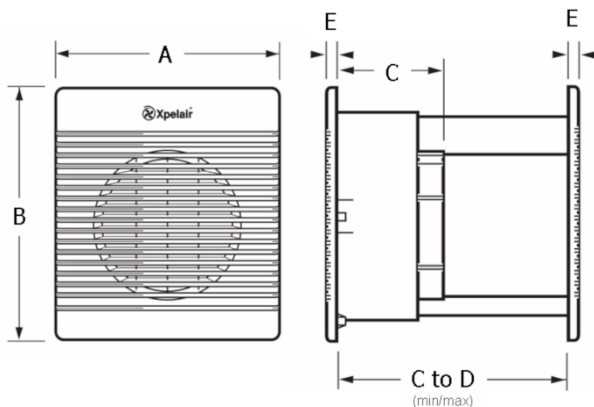
October 2010

[www.xpelairusa.com](http://www.xpelairusa.com)

# Xpelair® WX Wall Fan Range

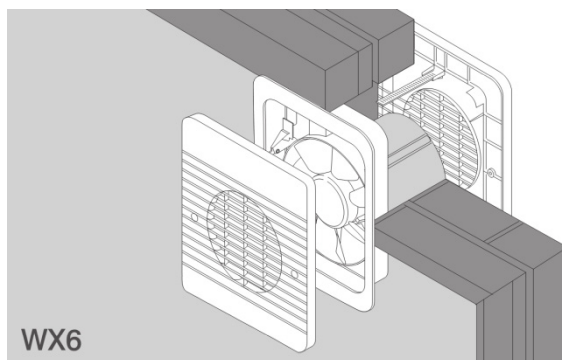
Model		WX6	WX9	WX12
Reference number		90824AW	90193AW	90191AW
Exhaust Flow Rate @120V 60Hz (FID)				
	High speed CFM	156	560	1060
	Low speed CFM	-	402	774
Exhaust Sound Level	High Sones*	1.3	2.0	3.4
	Low Sones*	-	1.3	2.0
Nominal Speeds	High RPM	1,400	1,400	1,250
	Low RPM	-	1,005	915
Maximum Electrical Power	(Watts)	33	58	140
Rough-in Dimensions W x H	(inches)	9 1/2 x 10 1/2	13 1/2 x 14 3/4	17 1/4 x 17 1/4
Product Weight	(lbs)	7	11	19

\*Sound levels were converted from dBA measured in a semi anechoic chamber using a microphone at 1m and 45 degrees from the centre of the front of the unit, in the Xpelair sound laboratory.

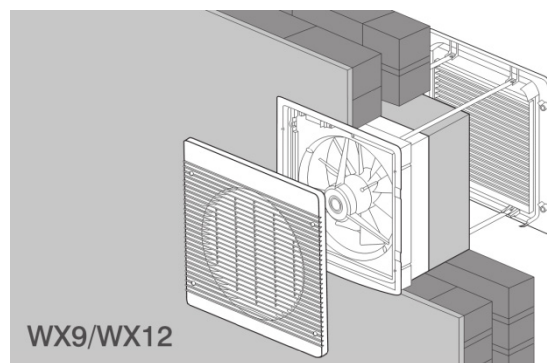


Dimensions* (Inches)					
Model	A	B	C	D	E
WX6	11 1/2	12 1/2	4 3/4	11 1/2	1/2
WX9	16	17	4 3/4	20	3/4
WX12	18 1/2	18 3/4	6 1/2	20 1/2	3/4

\* +/- 1/8" tolerance



WX6  
Hole size: 9 1/2" W x 10 1/2" H (WX6)



WX9/WX12  
Hole size: 13 1/2" W x 14 3/4" H (WX9)  
17 1/4" W x 17 1/4" H (WX12)